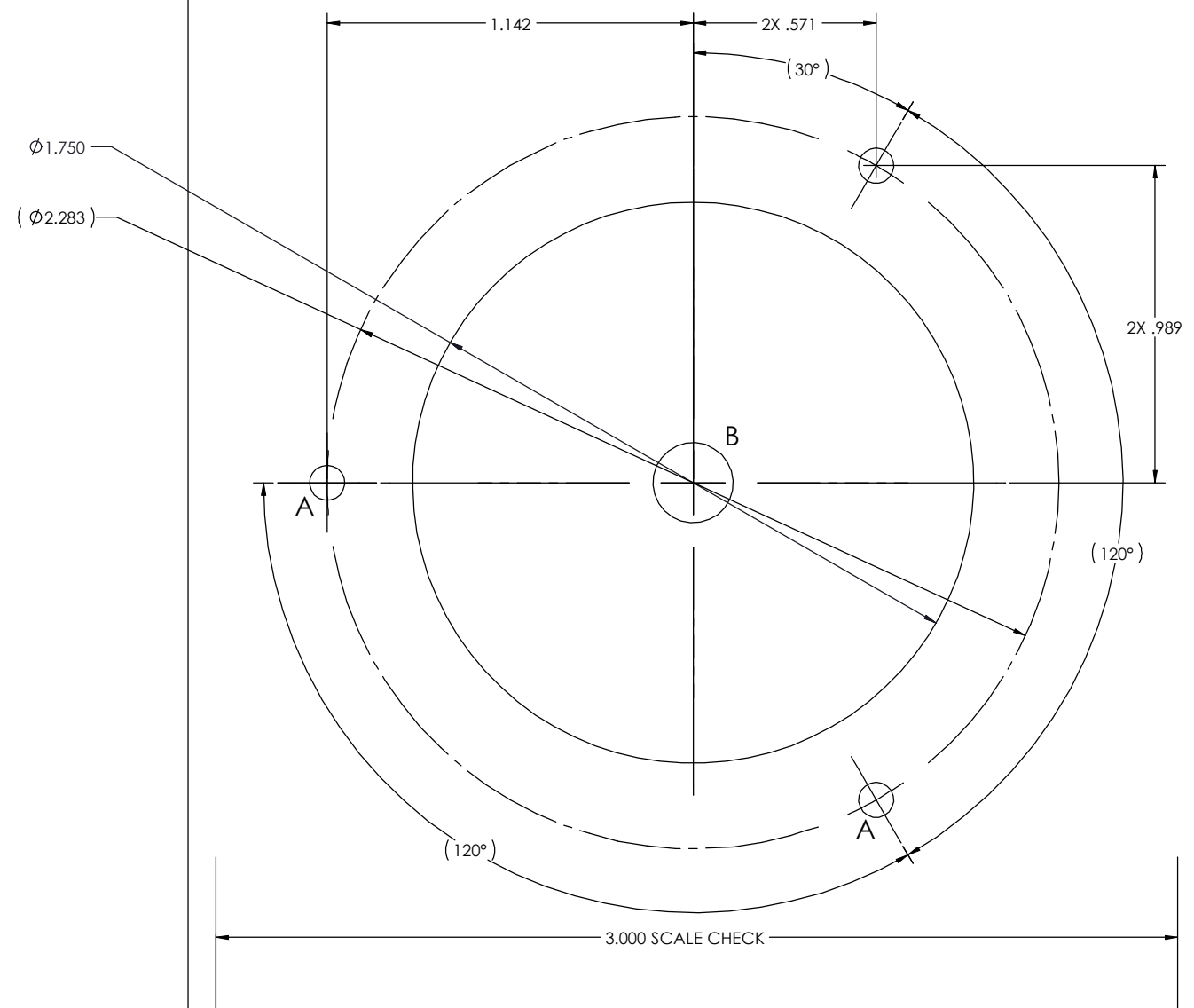


HOLE A - 2.7mm (7/64")  
HOLE B - 6mm (1/4") THEN ENLARGE TO 43mm (1 3/4")

50mm (2") DRILLING TEMPLATE

# FLUKE



## IMPORTANT CHECK BEHIND BEFORE DRILLING

**FLUKE** FLUKE CORPORATION  
P.O. BOX 9090  
EVERETT, WA 98206-9090

50mm (2") DRILLING TEMPLATE

TECHNICAL SUPPORT: 1-800-760-4523